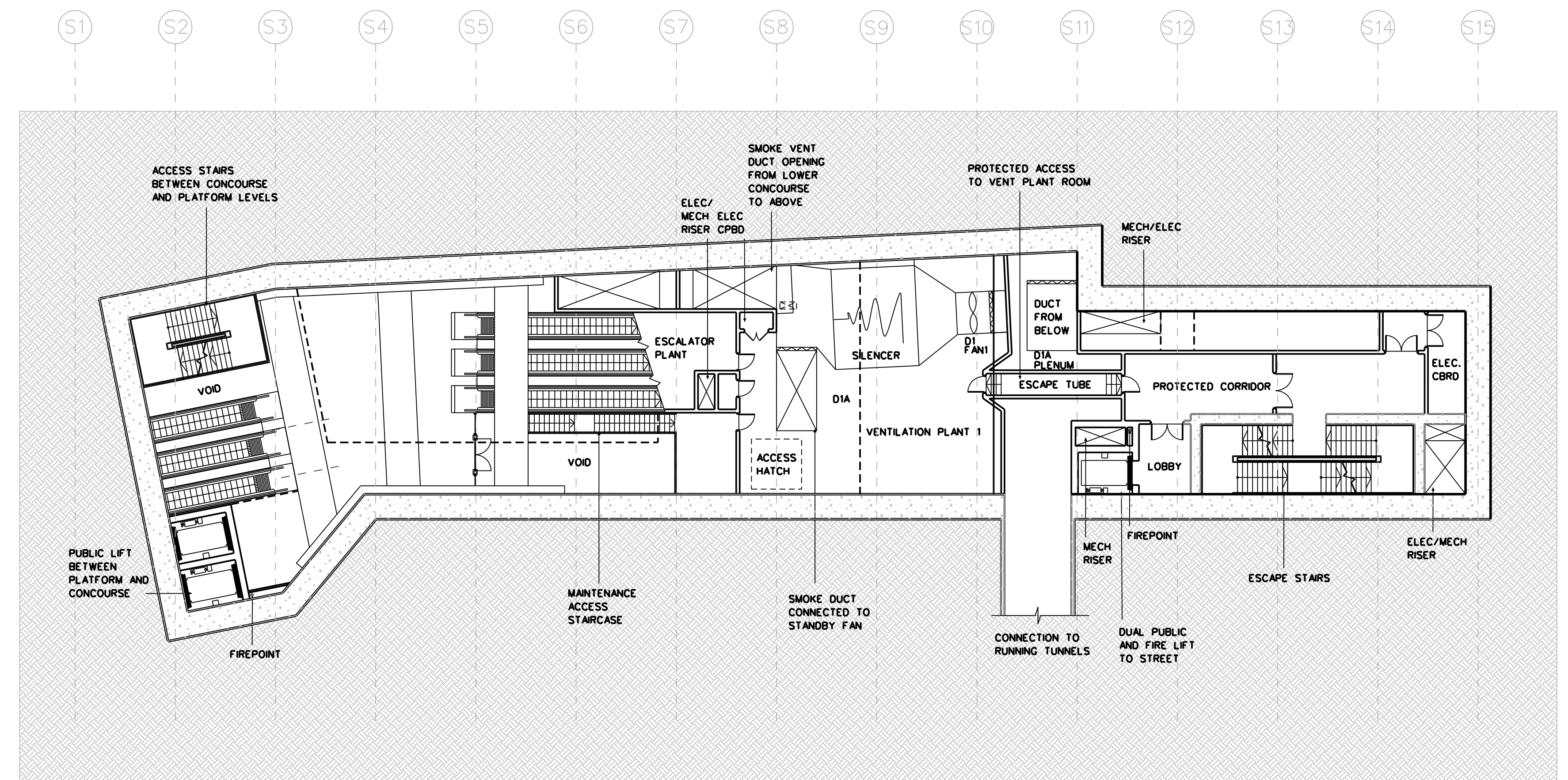
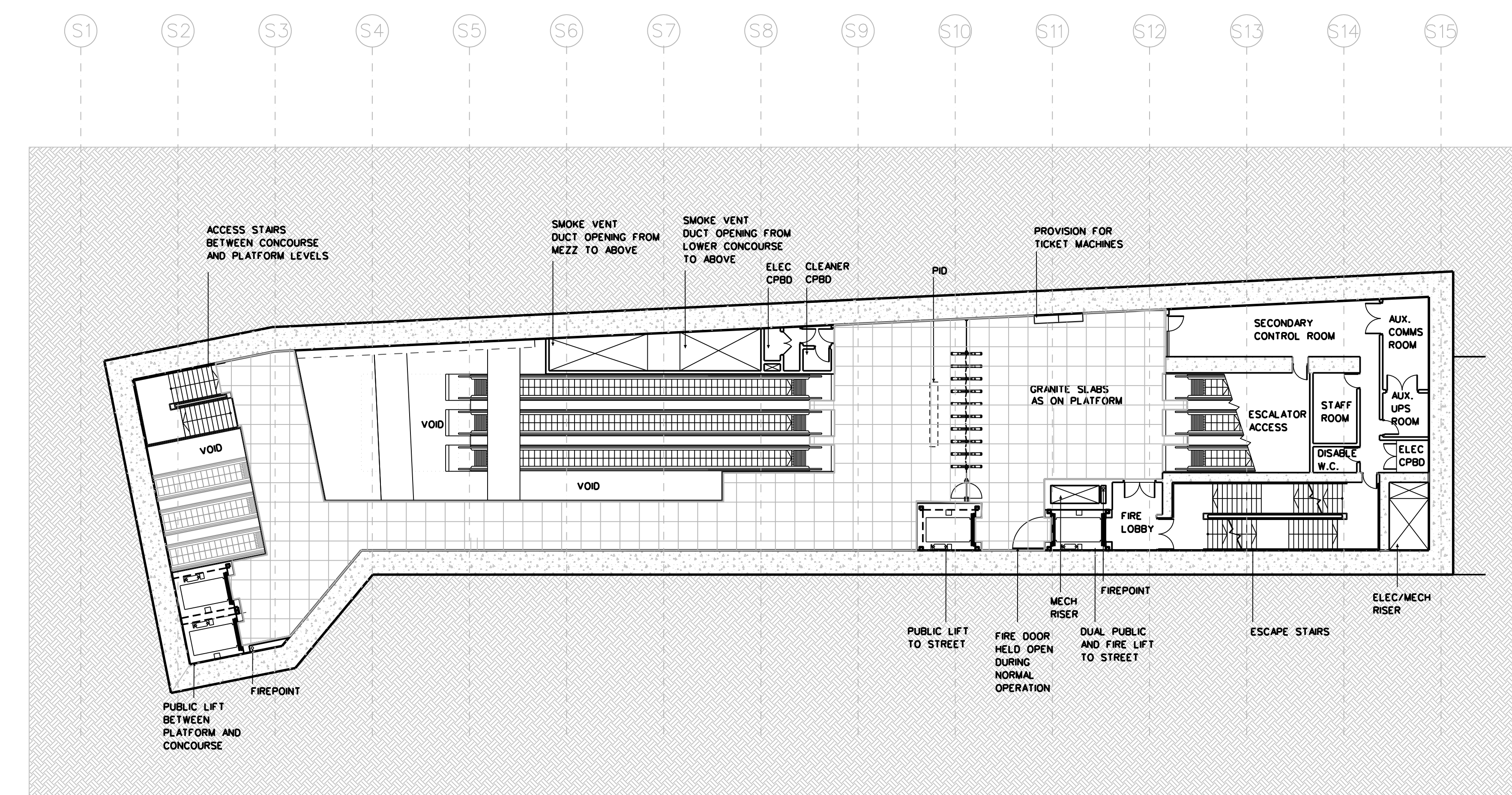


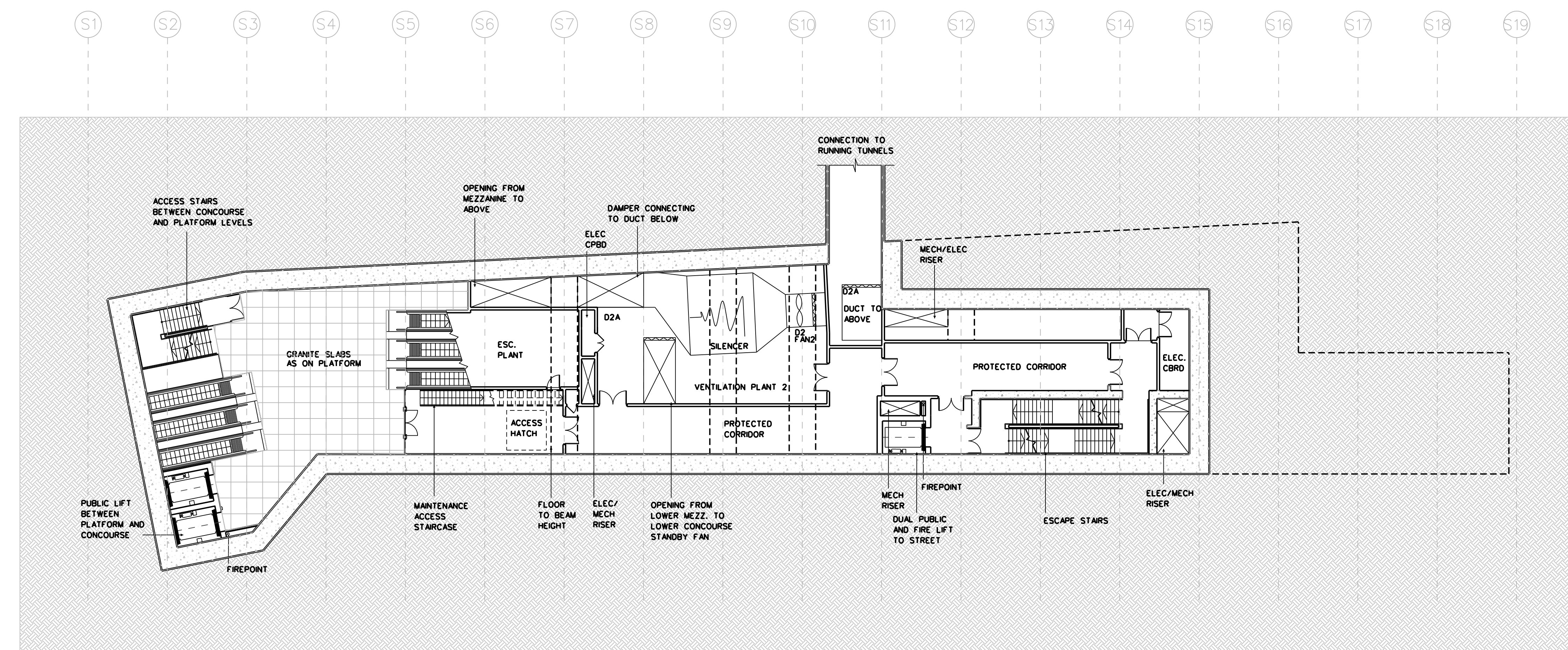
LANDING LEVEL
SCALE 1:200



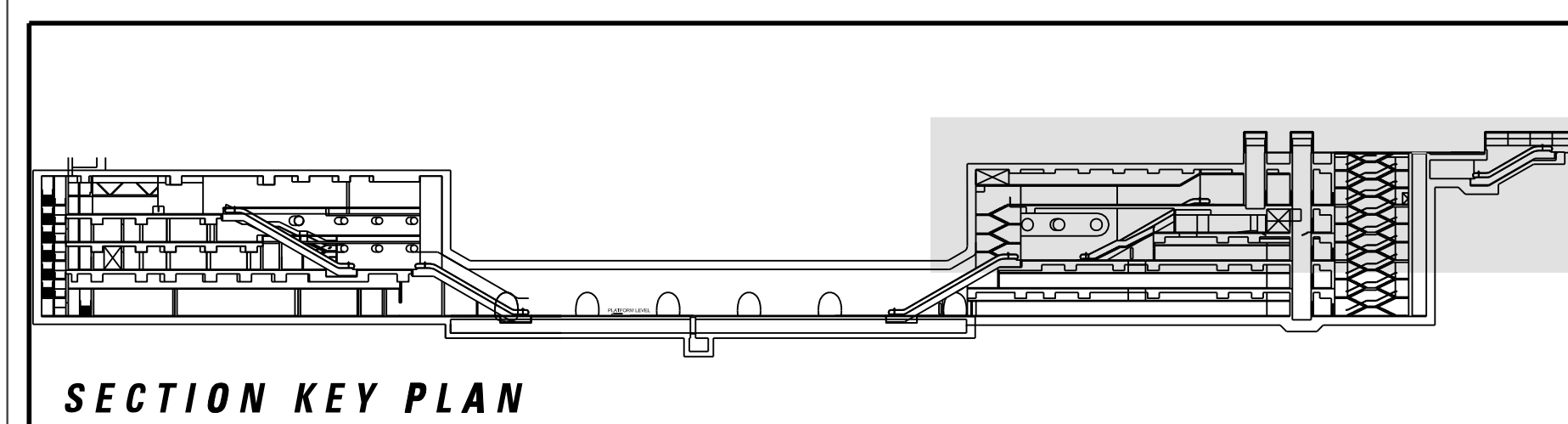
LOWER CONCOURSE LEVEL
SCALE 1:200



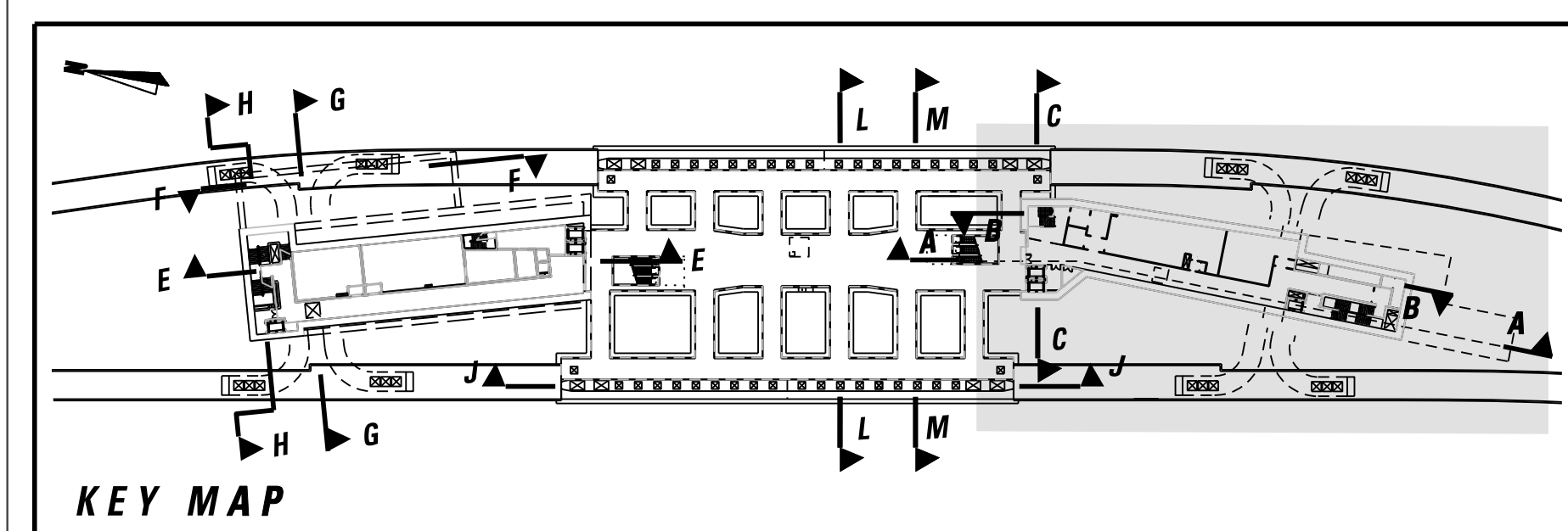
CONCOURSE LEVEL
SCALE 1:200



MEZZANINE LEVEL
SCALE 1:200



SECTION KEY PLAN



KEY MAP

Copyright Railway Procurement Agency
This drawing is confidential and the copyright in it is owned by the RPA. This drawing must not be either issued, copied or otherwise reproduced in whole or in part or used for any purpose without the prior permission of the RPA.
All U.S. data used for plans is generated from U.S. digital data and was printed under Ordnance Survey permit no. 03.0017

INTERNAL DOCUMENT NUMBER	STAGE	LINE	CONTRACT	ELEMENT	OPW NO.	OPW REV.
	L	MN	000	TO	107012	A

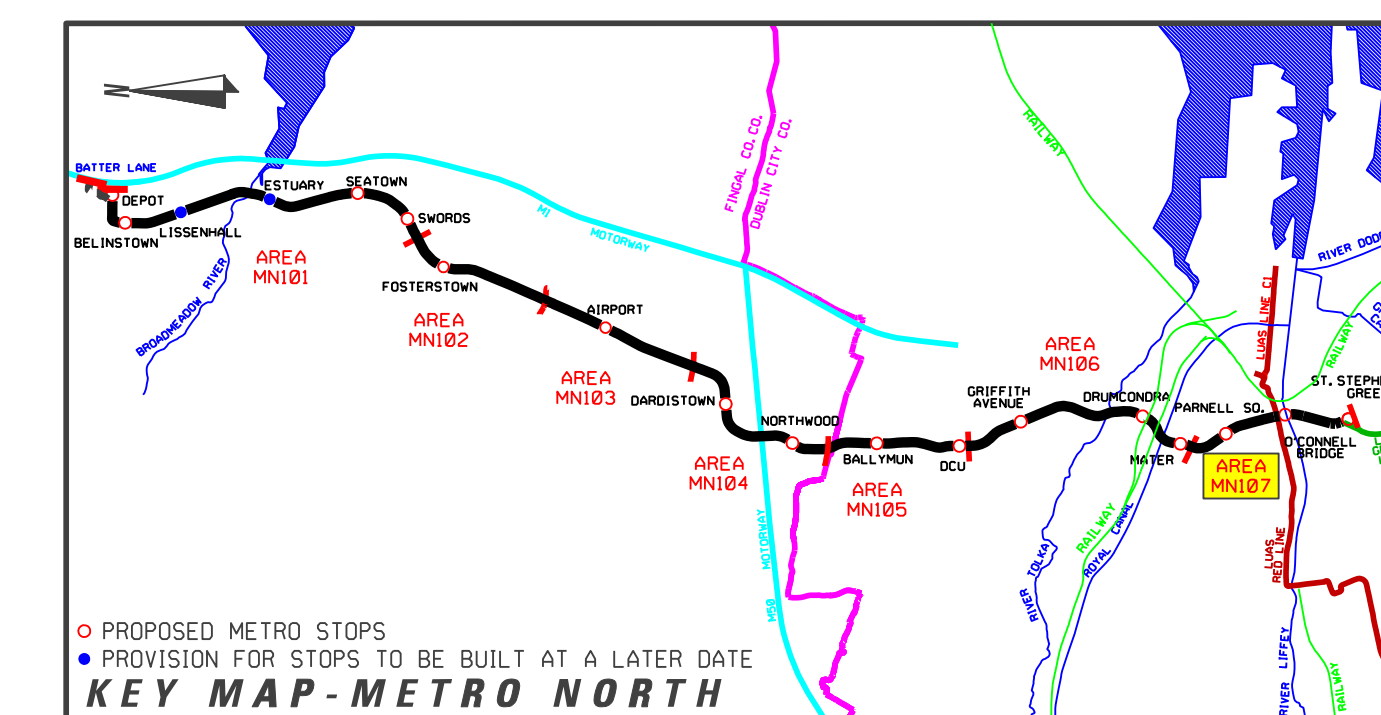
REFERENCE RELATED DRAWINGS

FOR 1:500 PLAN DRAWING SEE RAIL ORDER PLAN No. MN-RO 107 B-C(L/MN/000/GA/107003/A)

AND ALSO SEE					
O'CONNELL BRIDGE STOP - LOCATION PLAN	MN-ST 107	B-C1(L/MN/000/TO/107005/A)			
O'CONNELL BRIDGE STOP - NORTH BOX STREET LEVEL PLAN	MN-ST 107	B-C2(L/MN/000/TO/107006/A)			
O'CONNELL BRIDGE STOP - NORTH BOX PLANS	MN-ST 107	B-C3(L/MN/000/TO/107007/A)			
O'CONNELL BRIDGE STOP - PLATFORM PLAN	MN-ST 107	B-C4(L/MN/000/TO/107008/A)			
O'CONNELL BRIDGE STOP - NORTH BOX SECTIONS	MN-ST 107	B-C5(L/MN/000/TO/107009/A)			
O'CONNELL BRIDGE STOP - ELEVATION & SECTIONS	MN-ST 107	B-C6(L/MN/000/TO/107010/A)			
O'CONNELL BRIDGE STOP - SOUTH BOX STREET LEVEL PLAN	MN-ST 107	B-C7(L/MN/000/TO/107011/A)			
O'CONNELL BRIDGE STOP - SOUTH BOX PLANS - SHEET 2 OF 2	MN-ST 107	B-C9(L/MN/000/TO/107013/A)			
O'CONNELL BRIDGE STOP - SOUTH BOX SECTIONS	MN-ST 107	B-C10(L/MN/000/TO/107014/A)			
O'CONNELL BRIDGE STOP - SOUTH BOX ELEVATION & SECTION	MN-ST 107	B-C11(L/MN/000/TO/107015/A)			

LEGEND

	GRANITE		EXISTING TREE
	GRANITE SETTS		EXISTING TREE REMOVED
	DETERRENT PAVING		NEW TREE
	EXISTING KERB REMOVED		EDGE PLANTING
	EXISTING BUILDING LINE		TREE PIT
	STRUCTURES TO BE REMOVED		HEDGE
	SWEPT PATH EDGE		LOW LYING GROUND COVER
	POLE SUPPORT		GRASS AREA
	DIRECTION OF TRAFFIC FLOW		PLATFORM - GRANITE SLABS



PROPOSED METRO STOPS
PROVISION FOR STOPS TO BE BUILT AT A LATER DATE
KEY MAP - METRO NORTH

REVISION	DATE	MODIFICATION	STATUS	CHECKED/APPROVED

RPA Railway Procurement Agency
METRO
RAILWAY WORKS
LINE MN - STRUCTURES
O'CONNELL BRIDGE STOP
SOUTH BOX PLANS - SHEET 1 OF 2

PREPARED: RPA OFFICE	CHECKED: GEOFFREY FEATHERSTONE
SCALE(S): 1:200	APPROVED: ROBY O'CONNOR
DATE: AUGUST 2008	

AREA NO. 107	PLAN NO. MN-ST 107 B-C8	SUBJECT: RAIL ORDER
---------------------	--------------------------------	----------------------------